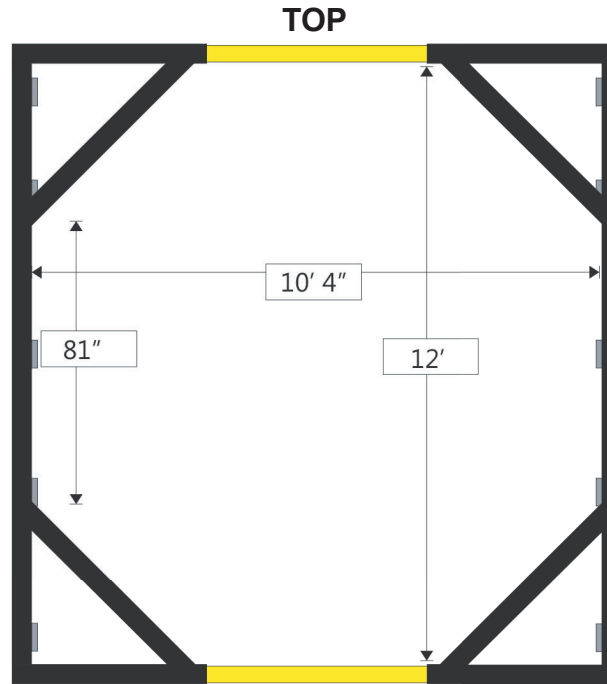


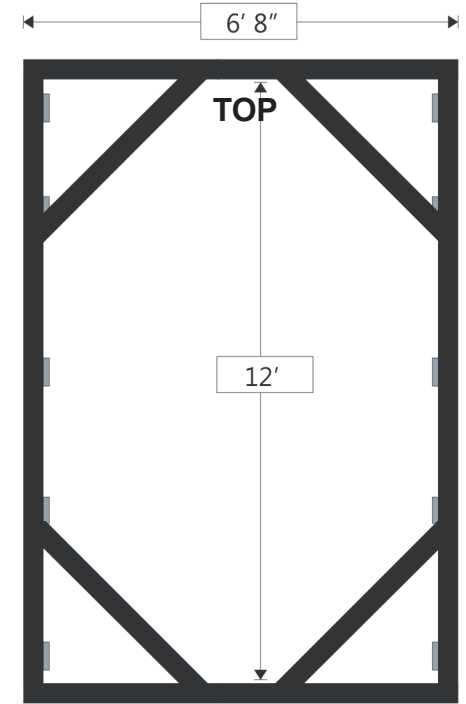


**WEIGHT: 1945 LBS**  
**CAPACITY: 5000 LBS**  
**INCLUDES: 4 MANUAL CHAIN FALLS**

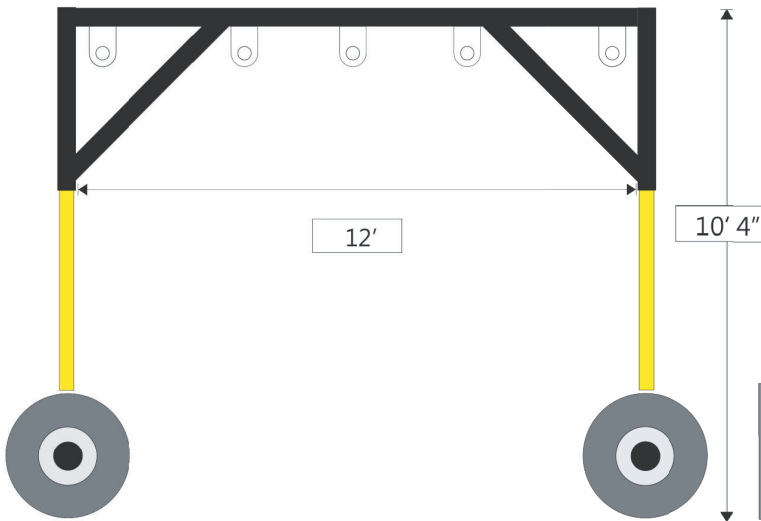
## DIMENSIONS (EXPANDED)



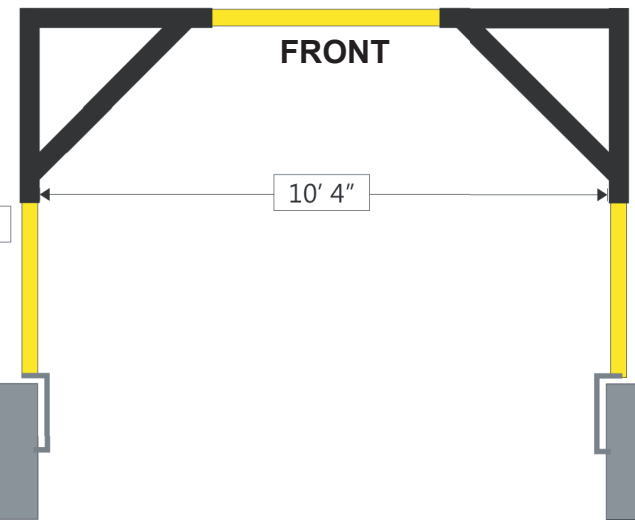
## DIMENSIONS (COLLAPSED)



## SIDE



## FRONT



## FRONT

