



110' STRAIGHT TELESCOPING BOOMS

Specifications

Reach Specifications

Platform Height	110 ft
Horizontal Reach	60 ft
Continuous Swing	360 Deg
Platform Capacity	500 lb
Platform Rotation	180 deg

Dimensional Specifications

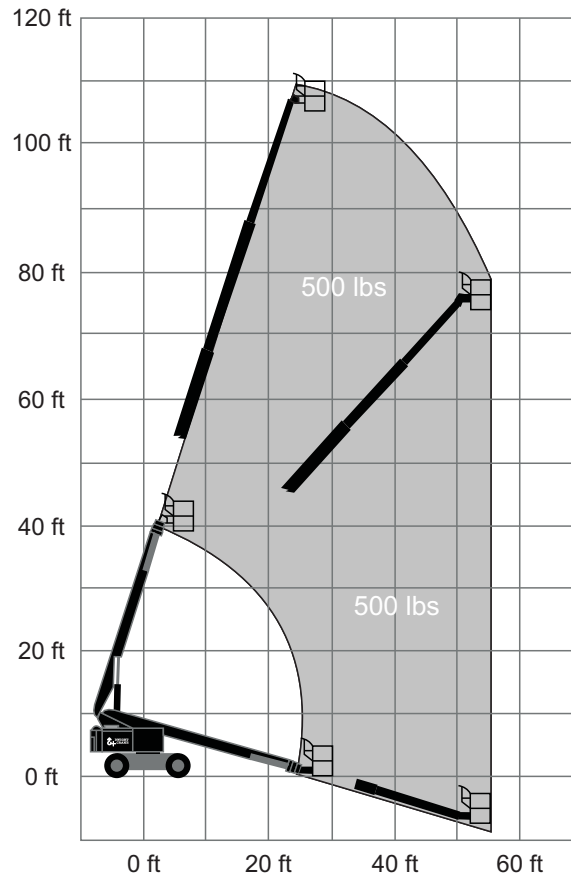
A. Platform Size	36 x 96in
B. Overall Width Axles Retracted	8 ft 6 in
C. Overall Width Axles Extended	10 ft 10 in
D. Tail swing	2 ft 10 in
E. Stowed Height	9 ft 10 in
F. Overall Length	38 ft 7 in
G. Wheel Base	11 ft
H. Ground Clearance	14.5 in

Operating Weight 40,410 lb

General Specifications

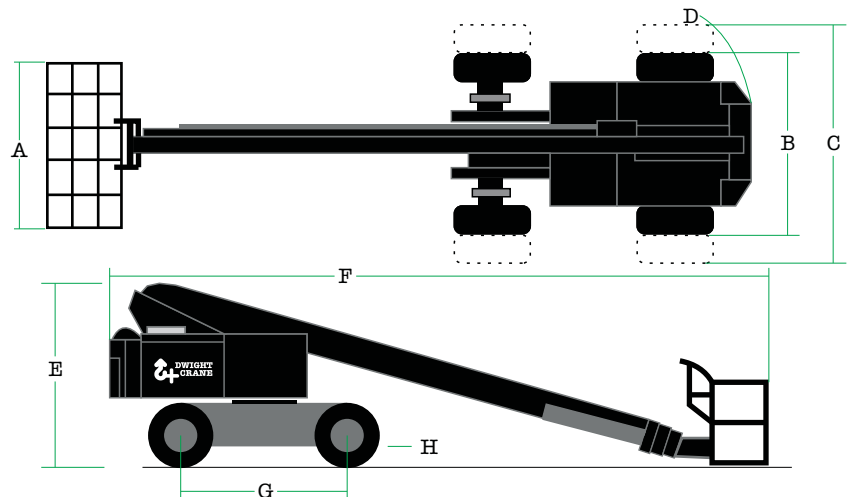
Max Ground Bearing Pressure	177 psi
Gradeability	25 %
Drive Speed	4.5 kph
Outside Turning Radius	22 ft 10 in

Range Chart



Charts shown are for reference only, charts of rented equipment may vary and the charts and manuals in each machine **MUST** be used.

Dimensions



- Crab, 4 Wheel and 2 Wheel Steering
- 4 Wheel Drive
- Flat Black Boom and Basket
- Work Lights

SUBJECT TO CHANGE WITHOUT NOTICE