



Operator's Manual Supplement

Cribbing Instructions

First Edition
Fifth Printing
Part No. 82943

Important

Plywood cribbing may be used to provide a level surface for safe boom operation. This instruction manual contains specifications for site constructed cribbing that, when used as instructed, may be considered firm and level ground. Cribbing may be used to bring a workplace surface to within the safe limits for aerial lift operation as described in the operator's manual.

Read, understand and obey the safety and operating instructions contained in the Operator's Manual for each machine.

Contents

	Page
Safety Rules	1
Construction Specifications	2
Workplace Inspection	4
Instructions for Use	5

Approved Models


S-40	Z-45/25
S-45	Z-45/25J
S-60	Z-45/25 RT
S-60HC	Z-45/25J RT
S-60X	Z-51/30J
S-60TRAX	Z-60/34
S-65	Z-80/60
S-65TRAX	Z-34/22 IC
S-80	
S-80X	
S-85	

Approved models must be equipped with pneumatic tires, foam-filled tires, or TRAX.

Copyright © 2003 by Terex

First Edition: Fifth Printing, December 2012

"Genie" is a registered trademark of Terex South Dakota in the U.S.A. and many other countries.

 Printed on recycled paper

Printed in U.S.A.

Safety Rules



Danger

Failure to read, understand and obey all warnings and instructions provided in this manual and the appropriate operator's manual will result in death or serious injury.

Use of plywood cribbing to provide a level surface for safe aerial lift operation is authorized by Genie only if the following safety rules and requirements are followed:

Do not use cribbing that is not built to the specifications outlined in this manual.

Operators must be trained in the safe use of aerial lifts on cribbing, using the information contained in this manual.

Do not use on booms over 85 feet (maximum platform height).

Do not use on any aerial equipment other than the models approved in this manual.

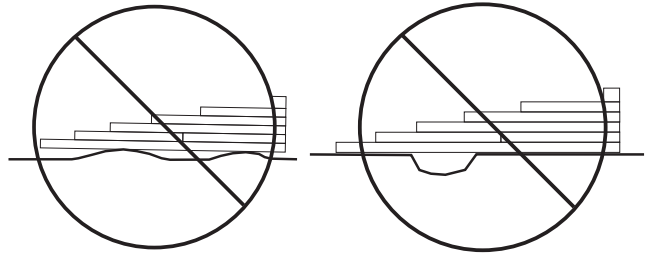
Do not use on a surface that is not firm (capable of supporting the weight of the machine without cribbing).

Do not use on a slope greater than 6° (10%).

Do not raise the platform unless the machine is level.

Do not drive the machine on cribbing with the platform raised.

Do not use cribbing over a hole, depression or bump in the supporting surface.



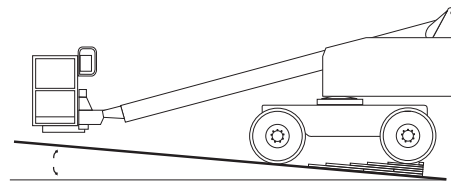
Machines must be equipped with a lock-out switch that disables the drive function when the platform is elevated. NOTE: If the machine does not have a lock-out switch, contact your Genie dealer to order a switch installation kit.

Do not raise the platform when wind speeds may exceed 15 mph.

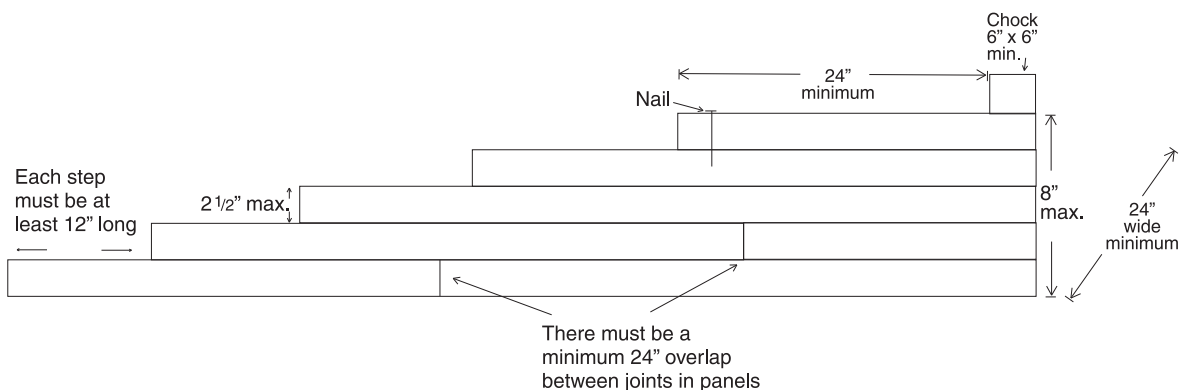
Construction Specifications

The specifications on this page are for cribbing under machines with wheels. For machines with tracks, see the specifications on the following page.

- Cribbing is to be constructed of APA certified plywood sheets.
- Each plywood sheet must be a minimum of $\frac{3}{4}$ inch thick.
- Each plywood sheet must be a minimum of 24 inches by 24 inches.
- Plywood sheets must be layered together with a minimum of 24 inches of overlap for joints.
- Layers are to be secured with 6D ring shank nails, placed a minimum of 8 inches OC edge and 12 inches OC face. Use 8d ring shank nails for plywood over $1\frac{1}{8}$ inches thick.
- Each end of the cribbing is to have a ramp or a chock that extends the full width of the cribbing. The chock must be a minimum of 6 inches by 6 inches.
- Ramps are to be constructed in a series of steps. Each step shall be a minimum of 12 inches long.
- The maximum total ramp height shall not exceed 8 inches.
- Make sure that machine wheels have a 24 inch long surface to rest on when the platform is raised.
- Cribbing must not be constructed to accommodate turns or curves.
- Cribbing must be constructed so that no machine tire is more than 8 inches off the ground at any time.
- Do not drive both front and rear wheels onto the cribbing. Only one set of wheels should rest on the cribbing. The other set of wheels needs to remain on solid ground.



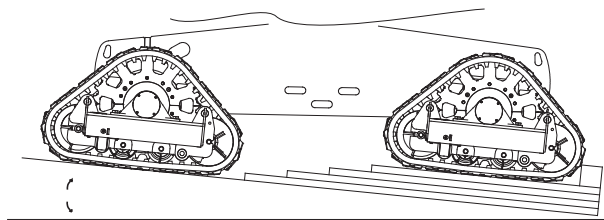
6° (10%) max.



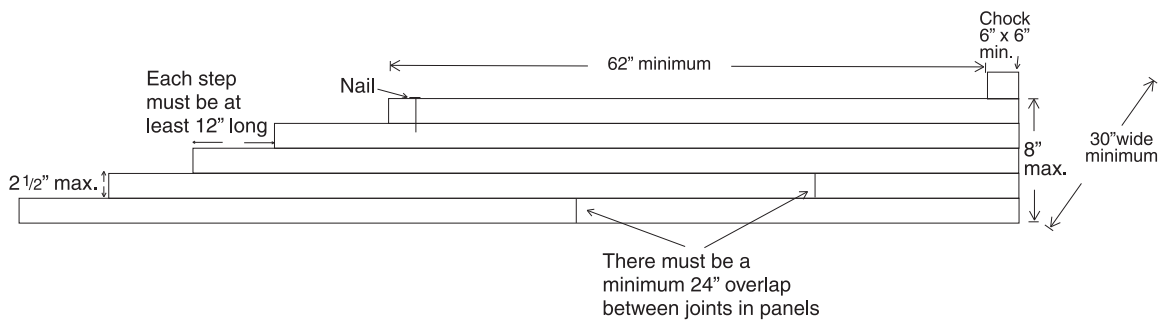
Construction Specifications

The specifications on this page are for cribbing under machines with tracks. For machines with wheels, see the specifications on the previous page.

- Cribbing is to be constructed of APA certified plywood sheets.
- Each plywood sheet must be a minimum of $\frac{3}{4}$ inch thick.
- Each plywood sheet must be a minimum of 30 inches wide by 24 inches long.
- Plywood sheets must be layered together with a minimum of 24 inches of overlap for joints.
- Layers are to be secured with 6D ring shank nails, placed a minimum of 8 inches OC edge and 12 inches OC face. Use 8d ring shank nails for plywood over $1\frac{1}{8}$ inches thick.
- Each end of the cribbing is to have a ramp or a chock that extends the full width of the cribbing. The chock must be a minimum of 6 inches by 6 inches.
- Ramps are to be constructed in a series of steps. Each step shall be a minimum of 12 inches long.
- The maximum total ramp height shall not exceed 8 inches.
- Make sure that the tracks have a 62 inch long surface to rest on when the platform is raised.
- Cribbing must not be constructed to accommodate turns or curves.
- Cribbing must be constructed so that no track is more than 8 inches off the ground at any time.
- Do not drive both front and rear tracks onto the cribbing. Only one set of tracks should rest on the cribbing. The other set of tracks needs to remain on solid ground.



6° (10%) max.



Workplace Inspection



Observe and Obey:

Read, understand and obey the instructions and hazards in the Workplace Inspection section of the operator's manual on your machine.

Conduct a workplace inspection prior to constructing and using cribbing to determine if the site is suitable for safe machine operation.

The workplace must be inspected before each use to determine if any changes have occurred that could affect the safe operation of the machine.

Be aware of and avoid the following hazardous situations when using cribbing:

- unstable surfaces that could shift under cribbing
- surfaces that cannot support the cribbing (refer to the floor loading specifications in the operator's manual)
- slippery surfaces that could cause cribbing to slide or skid
- sloped surfaces of greater than 6°
- drop-offs or holes
- raised ground

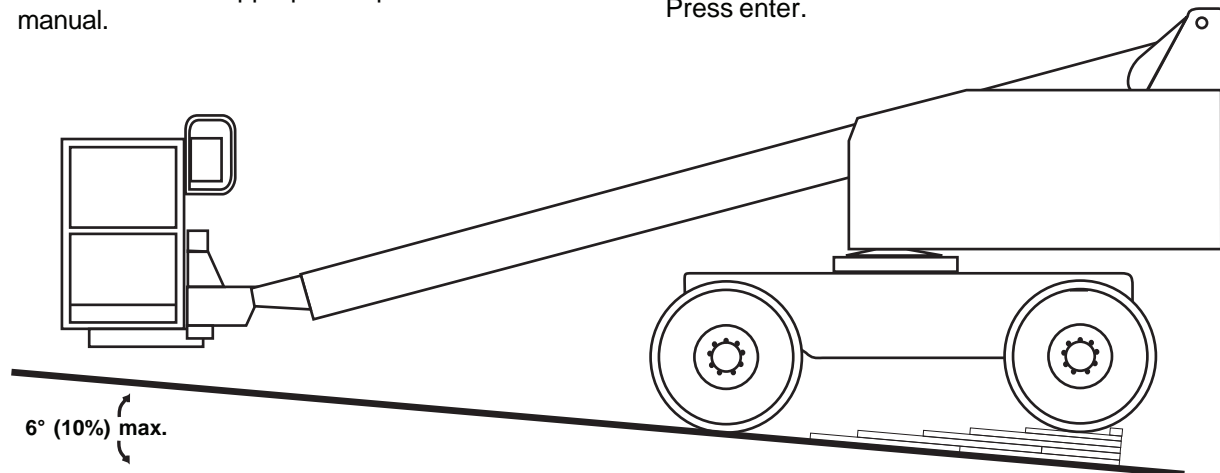
Instructions For Use

Operating Instructions







- 1 Make sure you are properly trained in the use of aerial lifts on cribbing, using the information provided in this manual.
- 2 Make sure the Genie aerial lift has been modified with a lock-out switch that disables the drive function. This switch will be located on the ground control panel and labeled with a patch (part number 97549). NOTE: If the machine does not have a lock-out switch, contact your Genie dealer to order a switch installation kit.

Note: Z-80/60 machines will not have a lock-out switch. Use the operating software and follow the Drive Disable Instructions to disable the drive function while lifting.

- 3 Place the cribbing on a surface that complies with the requirements of this manual and the illustrations below.
- 4 With the machine in the stowed position, drive onto the cribbing. One set of wheels or tracks must remain on the ground.
- 5 Be sure the base of the machine is level on the cribbing.
- 6 Move the drive disable switch on the ground control panel to lock out the drive function (all machines except Z-80/60).
- 7 Operate the boom functions according to the instructions in the appropriate operator's manual.



Drive Disable Instructions for Z-80/60

- 1 At the ground controls, turn the key switch to the off position.
- 2 Press and hold the enter button and turn the key switch to ground control. 
- 3 When the system beeps, release the enter button and press    .
- 4 Press the down arrow button repeatedly until the LED screen displays LIFT/DRIVE OPTION NO CO. 
- 5 Press the plus button to scroll through the options until DCONS is displayed. Press the enter button.
- 6 Press the down arrow button until EXIT? NO is displayed.
- 7 Press the plus button until YES is displayed. Press enter.
- 8 To return to normal drive function, repeat steps 1 through 3. Press the down arrow button repeatedly until the LED screen displays LIFT/DRIVE OPTION DCONS.
- 9 Press the minus button until NO CO is displayed. Press the enter button.
- 10 Press the down arrow button until EXIT? NO is displayed.
- 11 Press the plus button until YES is displayed. Press enter.